



Heating

HeatPAC & Heated Lid



⊕ Benefits

- ▶ Temperature up to 135°C
- ▶ Low profile & minimized footprint
- ▶ Easy integration
- ▶ Light weight

⊕ Function

- ▶ 

Heating Positions

Highest temperature range and lowest profile of all on-deck devices.



HeatPAC & Heated Lid

Dimensions & Compatibility

The INHECO HeatPAC is a very compact unit with super low height of only 40 mm at disposable contact surface. This low height makes it ideal for liquid handling workstations with limited space between the pipetting head and the heating block, eliminating the need for cut-outs and enabling the use of deepwell disposables. Its footprint is hardly bigger than a microplate, most ANSI/ SLAS (formerly SBS) listed disposables can be fitted. The system is also suited for the heating of tubes and other carrier formats. Cable routings are flexible, allowing the cable either to exit downwards, sideways or lengthways. The unit is a ready-to-install high performance resistance heater device, CE and UL certified.

Temperature Control

Samples can be kept at any chosen temperature between ambient and above 100°C with the HeatPAC contact surface reaching up to 135°C. The temperature setting and control is performed through the Single TEC Control (STC) unit for single devices. For multiple units (up to six), the temperature setting and control is performed through the Multi TEC Control (MTC). To connect the HeatPAC to the STC/MTC, a slot module is required. Please refer to the datasheets of our control units. You can choose between various types of thermal adapter plates to optimize the heat transfer and temperature uniformity for a range of commonly used microplates, deepwell plates, tubes and reservoirs. Please refer to the datasheet of our standard adapters or ask for a custom adapter.

Application Areas

The HeatPAC is used on robotic platforms to form temperature controlled areas, with direct and easy access by robotic grippers and pipetting heads.

The control units (MTC / STC) of the HeatPAC & the Heated Lid allow effortless integration into all major liquid handling systems, such as:

| | |
|-------------------------------------------|-----------------------------------|
| Agilent*: Bravo, Encore Multispan, BioCel | PerkinElmer: Janus, Multiprobe II |
| Beckman: Biomek FX, NX, 3000 | Caliper: Sciclone, Zephyr |
| Hamilton: Star Line, Nimbus, Vantage | Sias: Xantus |
| Tecan: Freedom EVO, Genesis, Temo | Zinsser: Lissy |

* Please contact Agilent directly for integration.

Alternatives and Heated Lid

The HeatPAC can control temperatures above ambient temperature. For heating with accelerated (active) cooling or cooling below ambient temperature please refer to our heating & cooling product range (CPAC) and the respective datasheet.

The Heated Lid is an ideal add-on to avoid condensation on lids / sealed plates, to increase heating rates and to improve temperature uniformity. The Heated Lid can be used in combination with the HeatPAC and with the heating & cooling units (CPAC).

| Product | Part No. | Temperature range | Dimensions W x D x H (mm) |
|------------|----------|-------------------|------------------------------|
| HeatPAC | 7900046 | ambient to 135°C | 128 x 89 x 40 |
| Heated Lid | 8900033 | ambient to 135°C | 134 x 91 x 19 |



7900046 HeatPAC with 7900016 Flat Bottom Adapter & Positioning Frame



8900033 Heated Lid

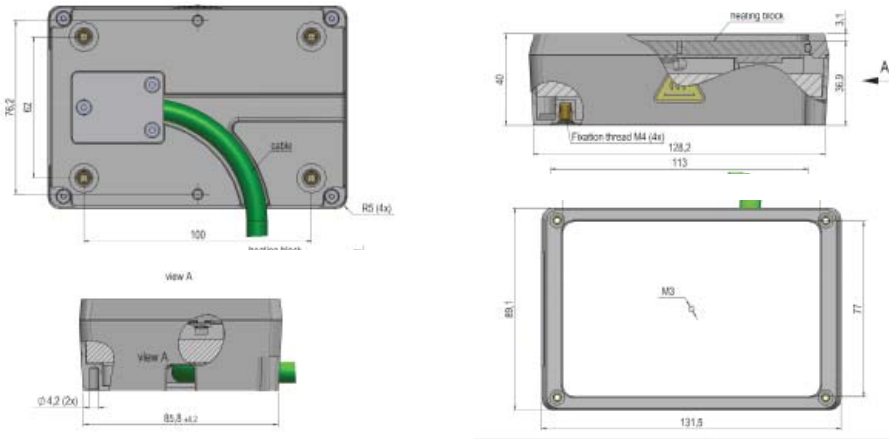


7900046 HeatPAC with 8900033 Heated Lid

Main Specifications HeatPAC

| Specifications | 7900046 HeatPAC |
|----------------------------------------|--------------------|
| Accuracy at 37°C target temperature * | ±0.5°C |
| Uniformity at 37°C target temperature* | ±0.5°C |
| Max. input cooling mode | 24 Vdc / 4 A |
| Ambient temperature | 15°C to 32°C |

Drawings HeatPAC

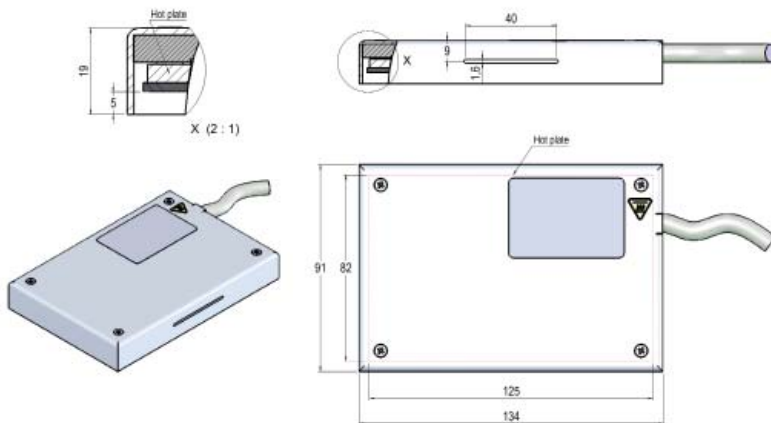


8900031: Single TEC Control (STC)



8900030: Multi TEC Control (MTC)

Drawings Heated Lid



7900046 Footprint of HeatPAC with positioning frame

Accessories

| Product | Part No. |
|--------------------------|----------|
| Multi TEC Control (MTC) | 8900030 |
| Single TEC Control (STC) | 8900031 |
| Black Slot Module | 2400125 |
| INHECO Measurement Plate | 7901000 |
| External Sensor | 2400140 |

Adapter Plates*

| Product | Part No. |
|----------------------|----------|
| Flat Bottom Plate* | 7900016 |
| Micro Plate 96 PCR* | 3200203 |
| Micro Plate 384 PCR* | 3200204 |

* Nearly 100 adapters are available for perfect fit of numerous disposables. They are listed on our website. We also customize.



7900016 Flat Bottom Plate with positioning frame

INHECO GmbH
Fraunhoferstrasse 11
82152 Martinsried
Germany

Tel.: +49 89 89 95 93-101
Fax: +49 89 89 95 93-149
sales@inheco.com
www.inheco.com