



Heating & Cooling

CPAC Units



⊕ Benefits

- ▶ High temperature range
- ▶ Top temp. uniformity and accuracy
- ▶ Minimum space consumption
- ▶ Easy gripper access
- ▶ Integration in major workstations

⊕ Function

- ▶ 
- ▶ 

Heating & Cooling Units

High performance temperature control



CPAC Ultraflat & CPAC Microplate

Product Description

The CPAC is a very compact single heated and cooled position and most ANSI/SLAS (formerly SBS) listed disposables can be fitted. The system is also suited for the heating and cooling of tubes and other carrier formats.

For single units, the temperature setting and control is performed through the INHECO Single TEC Control unit (STC). For multiple units (up to six), the temperature setting and control is performed through an INHECO Mutli TEC unit (MTC). A slot module is required to connect the CPAC to the STC/MTC. You can choose between various types of aluminum adapter plates to match the required disposable.

Application Areas

The CPAC is mostly used on robotic platforms to form temperature controlled areas, with direct and easy access by robotic grippers and pipetting heads.

Variants & Alternatives

There are 4 variants available, which differ in temperature range, temperature cycling capability and hardware installation. For heating-only solutions we refer to the Heating data sheet. For real thermal cycling with temperature change within seconds we refer to the Thermal Cycling data sheet.

Product	Part No.	Temp. range	Temp. cycling	Robotic installation
CPAC Ultraflat HT 2-TEC ¹⁾	7000166	+4°C to 110°C	Yes	on deck
CPAC Ultraflat ²⁾	7000190	+4°C to 70°C	No	on deck
CPAC Microplate HT 2-TEC ¹⁺³⁾	7000163	+4°C to 110°C	Yes	inside deck or ALP
CPAC Microplate ²⁾	7000179	+4°C to 70°C	No	inside deck or ALP

1) CPAC HT 2-TEC devices are optimized for high temperature & temperature cycling with temperature change within minutes. For cycling within seconds we refer to the Thermal Cycling data sheet.

2) basic CPAC devices are designed to maintain a constant & moderate temperature

3) mostly used on Biomek FX, NX, 3000, 4000, Sciclone and Zephyr

The CPAC is integrated with a large number of established LabAutomation systems, primarily:

CPAC Ultraflat

Agilent*: Bravo, Encore Multispan, BioCel
 Hamilton: Star Line, Nimbus, Vantage
 PerkinElmer: JANUS, Multiprobe II
 Tecan: Freedom EVO, Genesis, TEMO

CPAC Microplate

Beckman: Biomek FX, NX, 3000
 Caliper: Sciclone, Zephyr
 Protodyne: BioCube

* Please contact Agilent directly for integration.

Heated Lid

The Heated Lid is an ideal add-on to avoid condensation on lids / sealed plates, to increase heating rates and to improve temperature uniformity. The Heated Lid can be used in combination with the CPAC & with the heating-only unit HeatPAC.

Product	Part No.	Temperature range	Dimensions W x D x H x
Heated Lid	8900033	ambient to 135°C	134 x 91 x 19



7000166 CPAC Ultraflat HT 2-TEC



7000163 CPAC Microplate HT 2-TEC



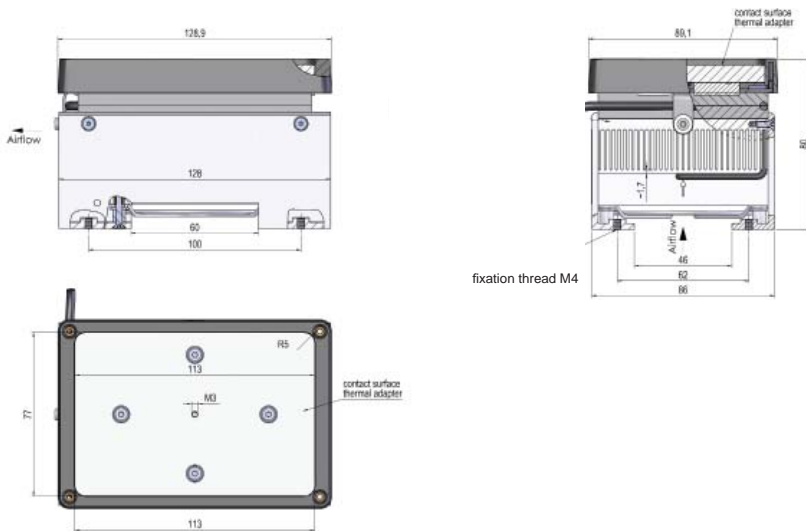
8900031: Single TEC Control (MTC)
 8900030: Multi TEC Control (MTC)

Main Specifications

Specifications	7000166	7000190	7000163	7000179
Accuracy at 37°C target temperature *	±0.3°C	±0.3°C	±0.3°C	±0.3°C
Uniformity at 37°C target temperature*	±0.5°C	±0.5°C	±0.5°C	±0.5°C
Max. input cooling and heating mode	24 Vdc / 4 A	15 Vdc / 4 A	24 Vdc / 4 A	15 Vdc / 4 A
Input Fan	24 Vdc / 0.1 A	12 Vdc / 0.15 A	24 Vdc / 0.1 A	12 Vdc / 0.15 A
Ambient temperature	15°C to 32°C	15°C to 32°C	15°C to 32°C	15°C to 32°C
Dimensions W x D x H (mm)	89 x 129 x 80	89 x 129 x 80	89 x 129 x 113	89 x 129 x 113

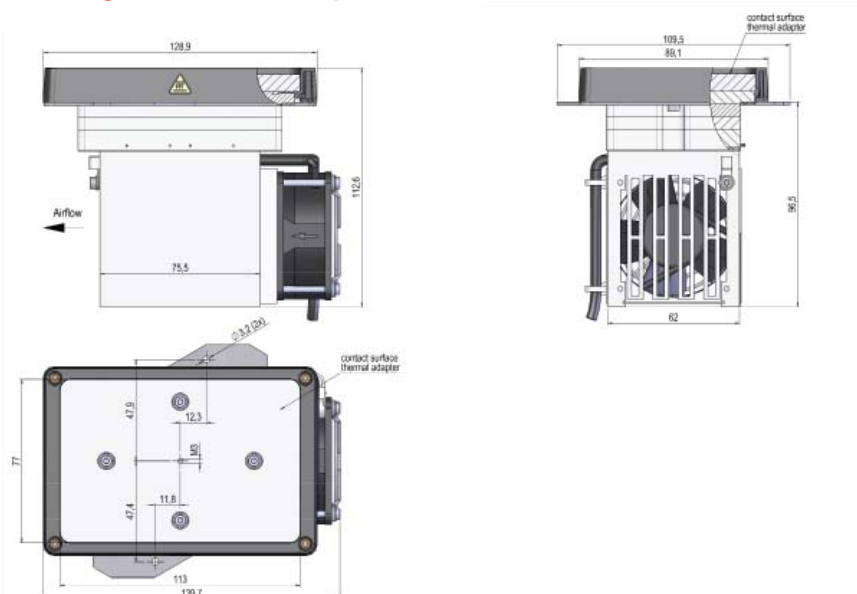
* data refer to flat bottom plate at 22°C ambient temperature

Drawings CPAC Ultraflat HT 2-TEC



8900033 Heated Lid

Drawings CPAC Microplate HT 2-TEC



7000166 Footprint of CPAC with positioning frame

Accessories

Product	Part No.
Multi TEC Control (MTC)	8900030
Single TEC Control (STC)	8900031
Black Slot Module	2400125
Blue Slot Module	2400128
Heated Lid	8900033
INHECO Measurement Plate (IMP)	7901000
External Sensor	2400140

Adapter Plates*

Product	Part No.
Flat Bottom Plate*	7900016
Micro Plate 96 PCR*	3200203
Micro Plate 384 PCR*	3200204

* Nearly 100 adapters are available for perfect fit of numerous disposables. They are listed on our website. We also customize.



7900016 Flat Bottom Adapter with positioning frame

INHECO GmbH
Fraunhoferstrasse 11
82152 Martinsried
Germany

Tel.: +49 89 89 95 93-101
Fax: +49 89 89 95 93-149
sales@inheco.com
www.inheco.com