



Laboratory Equipment Manufacturer
www.mrclab.com



INSTRUCTION MANUAL FOR **WBT-200/400** WATER BATH SHAKER

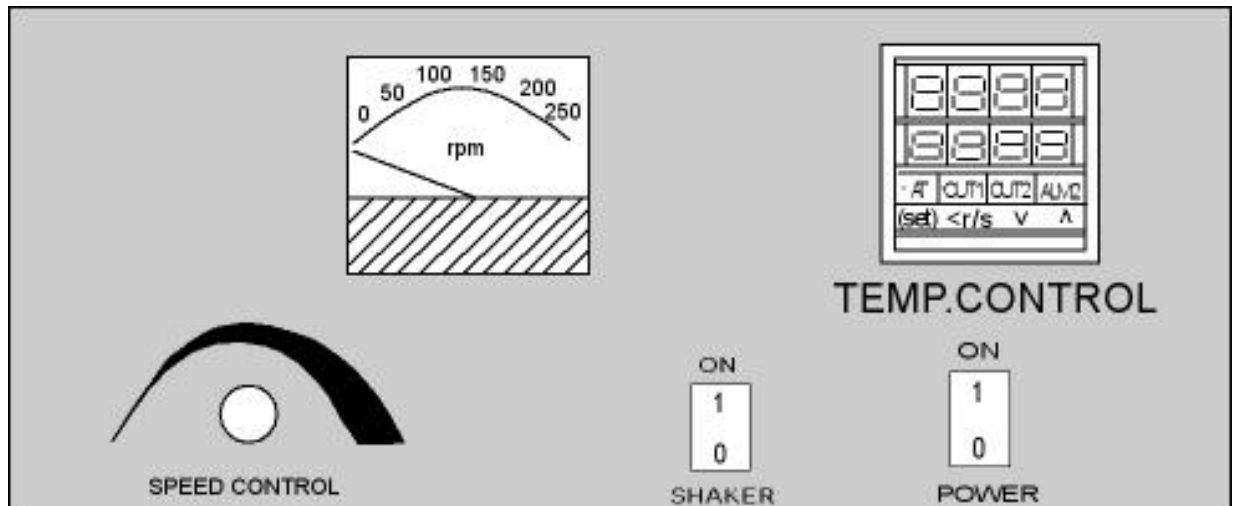


PLEASE READ THIS MANUAL CAREFULLY BEFORE OPERATION

3, Hagavish st. Israel 58817 Tel: 972 3 5595252, Fax: 972 3 5594529 mrc@mrclab.com

MRC.VER.02-11.10

Name and Function of Control panel



TEMP.CONTROL PARTS

SHAKER CONTROL PARTS

Temperature control parts

1. Power supply switch

Plug in the power supply switch to its power outlet.
Push power control to ON position.

2. Temperature control

Set the temperature to the required temperature rate.
Press the set key to enter SV mode, the digit which lights brightly is settable.

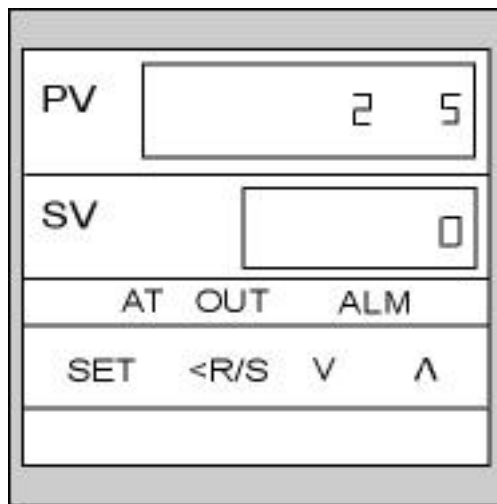
Shaker control parts

1. Power control

Turn on to start the shaking process.

2. Speed control knob

Turn on to set the required shaking speed.
Shaking speed rate is indicated by the speed meter.



PV- Measured value display unit

Displays various parameter symbols depending on the instrument.

SV- Set value display unit

Displays various parameters set value depending on the instrument.

AT- Autotuning lamp

Flashes during autotuning execution.

OUT1-Control output lamps

Lights when control output is turned on.

ALM1 – Alarm output lamps

Lights when first alarm output is turned off.

ALM2 – Alarm output lamps

Lights when second alarm output is turned off.

SET- Set key

Used for parameter registration/ calling up.

◀ **R/S-** Shift & R/S key

Used to shift the digit when the setting is changed. (Shift key)

Used to select the RUN/ STOP function. (R/S key)

▼ - DOWN key

Used to decrease numerals.

▲ - UP key

Used to increase numerals.